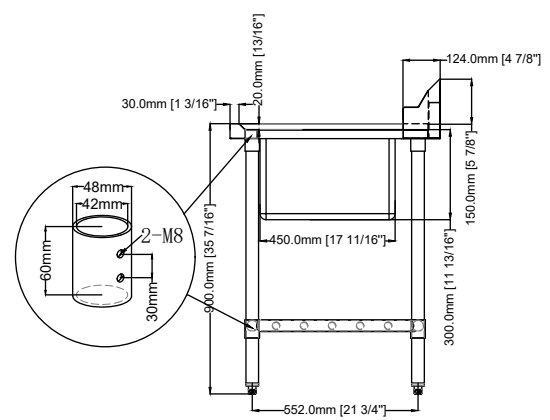
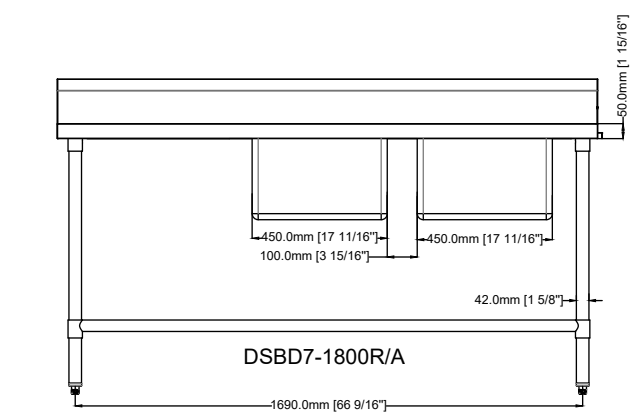
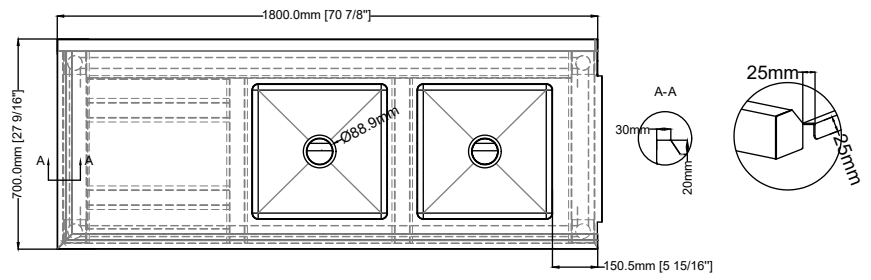


MODULAR SYSTEMS



Model:	DSBD7-1800R/A
Description:	Double Right Handed Sink Bench for Dishwasher 1800x700x900+150mm

Dimensions:	External	Sink Dimensions
Height (mm):	1050	300
Width (mm):	1800	450
Depth (mm):	700	450
Splashback Height (mm):	1.0mm 304S/S 150mm	
Drain Hole Ø (mm):	1.0mm 201S/S, Ø 90mm	
Tube	1.0mm 201S/S "U" channel 38mm OD outer frame tubes 25mm OD Sinner tubes	
Cabinet Design	1.0mm 304S/S+10.0mm MDF+1.0mm galvanized top shelf	
Pot undershelves	1.0mm 201S/S	
Sink Design	1.0mm 304S/S 2 right sink	
Leg	4 legs, 1.0mm 201S/S, Ø 42mm	
Feet Design	adjustable zinc alloy feet with S/S clad	

*With supplied castors fitted. See height variation below

Height Variation	
Supplied castors	1050
Supplied height adjustable legs	20~50
No castors or legs	1030(Splashback included)

Dimensional Tolerances	
Before installing this cabinet allow -5mm to +10mm dimensional tolerances:	
Joint Tolerances	End Wall Tolerances
+5mm	+15mm
-5mm to +10mm	+15mm